

Technische Daten:

Bemessungsspannung: max. 24 V DC
 Strombelastbarkeit: 8 A bei 40°C
 Schutzart: IP 67, im gesteckten Zustand
 Umgebungstemperatur Stecker: -40°C ... +125°C
 Umgebungstemperatur Leitung: fest: -40°C ... +80°C bewegt: -25°C ... +80°C
 Anschlussquerschnitt: 0,75mm²
 Gehäuse: Superseal 1.5 Cap 282105-1, schwarz

Technical specification:

Rated voltage: max. 24 V DC
 Current rating: 8 A at 40°C
 Degree of protection: IP 67, in mated condition
 Temperature range connector: -40°C ... +125°C
 Temperature range wire: fixed: -40°C ... +80°C moved: -25°C ... +80°C
 Wire cross section: 0,75mm²
 Housing: Superseal 1.5 Cap 282105-1, black

Werkstoffe:

Kontakt: CuZn
 Kontaktoberfläche: verzinkt
 Kontaktträger: PA 6.6 GF
 Umspritzung: TPU, UL94, schwarz
 Dichtung: Silikon

Materials:

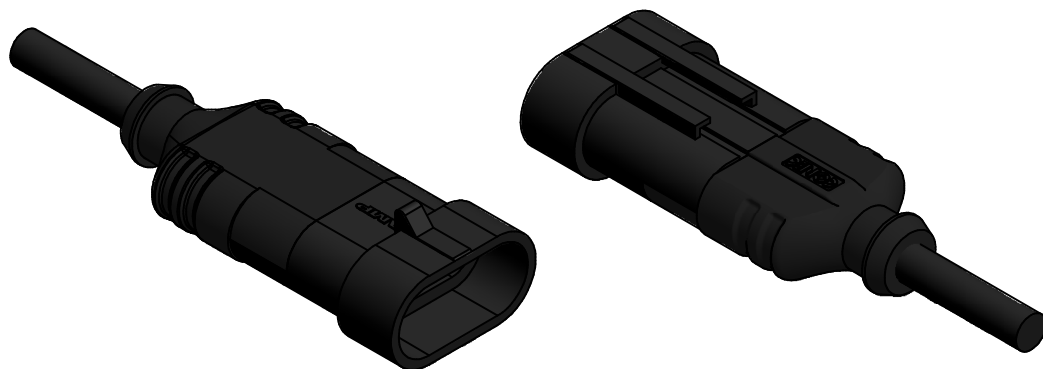
Contact: CuZn
 Contact plating: tin plated
 Contact carrier: PA 6.6 GF
 Overmolding: TPU, UL94, black
 Sealing: Silicone

Kontaktbelegung / Schematic diagram



D = siehe Datenblatt Kabel
 D = see data sheet cable

| Art.Nr.: | Beschreibung / Description | Kabellänge / cable length "L" | Kabel / cable |
|----------|----------------------------|-------------------------------|---|
| 55-00474 | VSS1.5-3P-A/K1/0.75/2m | 2m | PUR, schwarz / black, 3x0,75mm ² , Kabel / Cable: 781-K17300 |
| 55-00475 | VSS1.5-3P-A/K1/0.75/5m | 5m | |
| 55-00476 | VSS1.5-3P-A/K1/0.75/10m | 10m | |
| 55-XXXXX | VSS1.5-3P-A/K1/0.75/...m | ...m | |



RoHS compliant

| | | | | | | | |
|---|------------------------------------|----------|------------|----------|----------------|--|--------|
| THIS DRAWING MAY NOT BE COPIED OR REPRODUCED IN ANY WAY, AND MAY NOT BE PASSED ON TO A THIRD PARTY WITHOUT WRITTEN PERMISSION. OWNERSHIP AND COPYRIGHT OF CONEC GmbH DO NOT ALTER CAD DRAWING BY HAND | Kabeltoleranz / Cable tolerance: | | tolerance | | dim. in mm | scale: 1,5:1 | |
| | L ≤ 4m: L + 40mm L > 4m: L + 1% | | ISO 2768-m | | | material: siehe techn.Daten / see notes | |
| | date | name | drawn | 20.08.14 | A.Bludau | title: VSS 1.5 - 3pos Cap Valve Connector SuperSeal VSS 1.5 - 3pol Ventilstecker | |
| | appd. | 15.09.14 | Koch | | | | |
| | norm | | | | | | |
| d-old | | | | | dwg no: | | DIN-A3 |
| a | Origin | | | | | 55K1A057 | |
| rev. | description | date | name | | | part no: see table / siehe Tabelle | |