

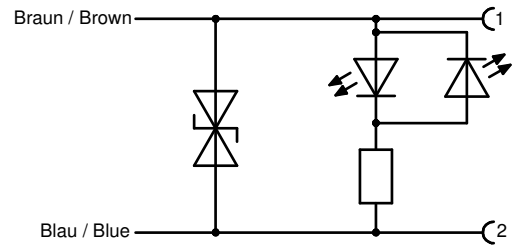
Technische Daten:

Bemessungsspannung: 12 / 24 V AC/DC
 Strombelastbarkeit: 8 A bei 40°C
 Schutzart: IP 67, im gesteckten Zustand
 Umgebungstemperatur Stecker: -40°C ... +85°C
 Umgebungstemperatur Leitung: fest: -40°C ... +80°C
 bewegt: -25°C ... +80°C
 Steckzyklen: > 100
 Anschlussquerschnitt: 0,75mm² / AWG 18
 Gehäuse: Deutsch DT06-2S-P012, schwarz
 Schutzbeschaltung: Supressordiode + 2x LED gelb
Werkstoffe:
 Kontakt: CuZn
 Kontaktoberfläche: Ni
 Kontaktträger: Thermoplast
 Umspritzung: TPU, UL94, transluzent
 Dichtung: Silikon

Technical specification:

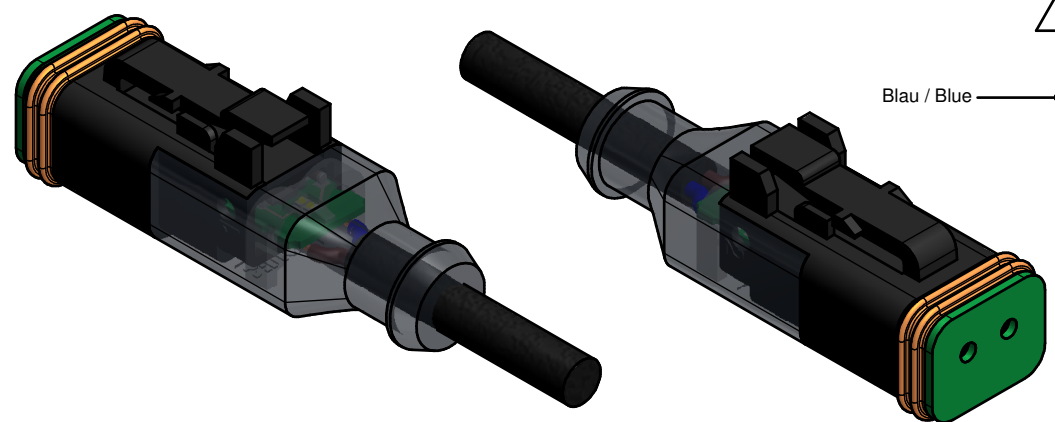
Rated voltage: 12 / 24 V AC/DC
 Current rating: 8 A at 40°C
 Degree of protection: IP 67, in mated condition
 Temperature range connector: -40°C ... +85°C
 Temperature range fixed wire: -40°C ... +80°C
 moved wire: -25°C ... +80°C
 Mating cycles: > 100
 Wire cross section: 0,75mm² / AWG 18
 Housing: Deutsch DT06-2S-P012, black
 Protective circuit: supressor diode + 2x LED yellow
Materials:
 Contact: CuZn
 Contact plating: Ni
 Contact carrier: Thermoplastic
 Overmolding: TPU, UL94, translucent
 Sealing: Silicone

Stromlaufplan / Schematic diagram



"D" = siehe Datenblatt Kabel
 "D" = see data sheet cable

iso view (2 : 1)



RoHS compliant

Art.Nr.:	Beschreibung / Description	Kabellänge / cable length "L"	Kabel / cable
55-00398	DT06-2S-B/K1/0.75/0.3m	0,3m	PUR, schwarz / black 2x0,75mm ² , Kabel / cable: 781-K17200
55-00435	DT06-2S-B/K1/0.75/0.6m	0,6m	
55-00376	DT06-2S-B/K1/0.75/2m	2,0m	
55-00410	DT06-2S-B/K1/0.75/3.5m	3,5m	
55-00377	DT06-2S-B/K1/0.75/5m	5,0m	
55-00378	DT06-2S-B/K1/0.75/10m	10,0m	
55-00397	DT06-2S-B/K1/0.75/20m	20,0m	
55-XXXXX	DT06-2S-B/K1/0.75/...m	...m	

THIS DRAWING MAY NOT BE COPIED OR REPRODUCED IN ANY WAY, AND MAY NOT BE PASSED ON TO A THIRD PARTY WITHOUT WRITTEN PERMISSION. OWNERSHIP AND COPYRIGHT OF CONEC GmbH

DO NOT ALTER CAD DRAWING BY HAND

Kabelltoleranz / cable tolerance:		scale: 2:1	
L ≤ 4m: L + 40mm		material: see notes	
L > 4m: L + 1%		title: DT 06 - 2pos Plug (h)	
		Valve Connector / with protection circuit	
		DT 06 - 2pol Ventilstecker / mit Schutzbeschaltung	
		dwg no: 55K1A034	
		part no: see table	

date: 13.06.13
 name: Koch
 appd.: 17.06.13
 norm: SK0123Z1
 d-old: SK0123Z1

4 x i: Ä5559 05.03.2015 K.H.
 1 x h: Ä 5291 28.07.2014 Lehm.
 a: Original
 rev. description date name

CONEC

DIN-A3
sh: 1