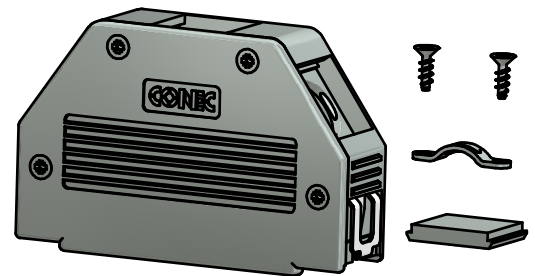
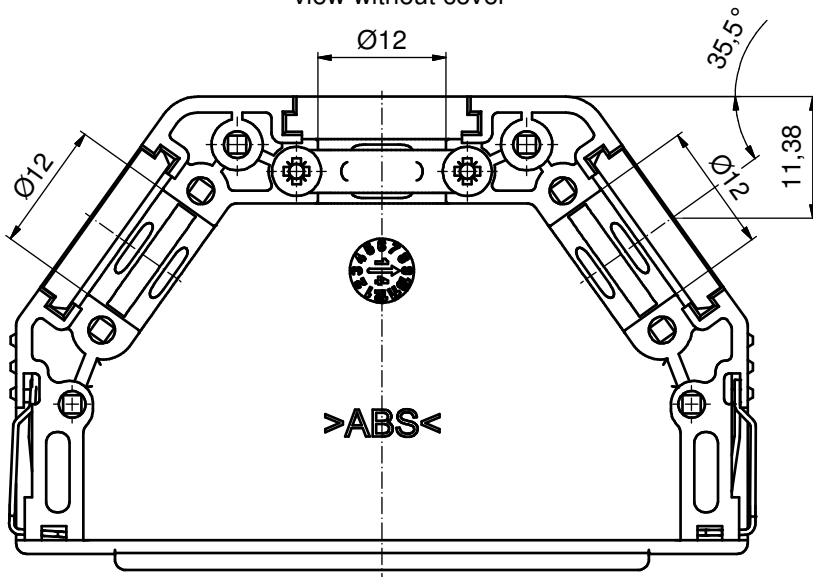
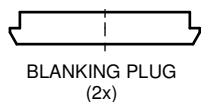
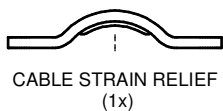
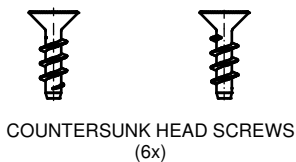


view without cover



HOOD ASSEMBLY CONSISTS OF:

1. HOOD + COVER: ABS UL 94 V-0; NICKEL PLATED
2. BLANKING PLUGS: ABS UL 94 V-0; NICKEL PLATED
3. CABLE STRAIN RELIEF: STEEL; NICKEL PLATED
4. CLIP: STAINLESS STEEL
5. COUNTERSUNK HEAD SCREWS: STEEL; NICKEL PLATED



Directive 2002/95/EC RoHS compliant

THIS DRAWING MAY NOT BE COPIED OR REPRODUCED IN ANY WAY, AND MAY NOT BE PASSED ON TO A THIRD PARTY WITHOUT WRITTEN PERMISSION. OWNERSHIP AND COPYRIGHT OF CONEC GmbH DO NOT ALTER CAD DRAWING BY HAND	tolerance		dim. in mm	scale: 2:1 (1:1)		
				material: see drawing		
	drawn	25.09.14	Henneboel		title: Plastic Hood 50pos with Snap Lock / top and two sides cable exit	
	appd.	25.09.14	Strakerjahn			
	norm					
d-old				dwg no: 16K1A3533		
rev. a	Original			DIN-A3 sh: 1		
rev.	description	date	name			
				part no: 16-001790		