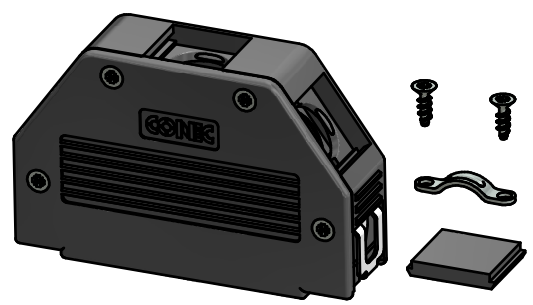
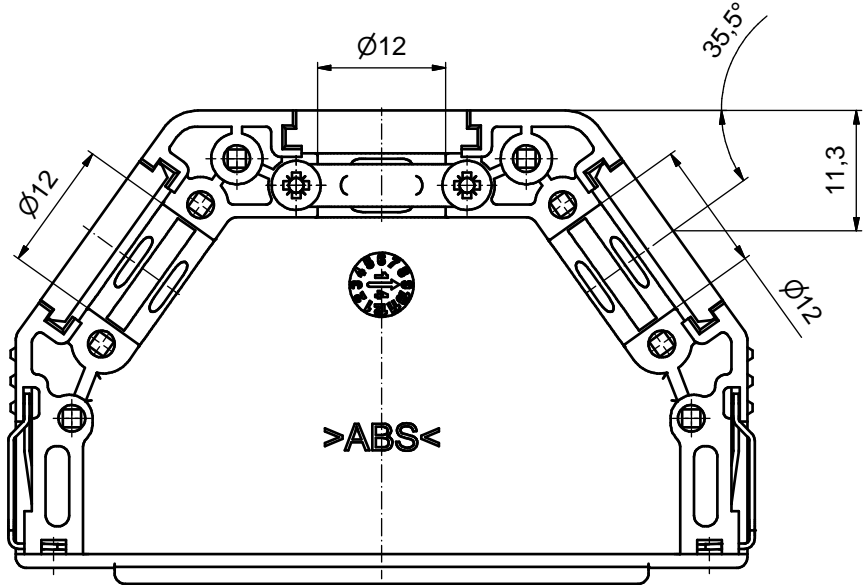
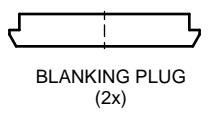
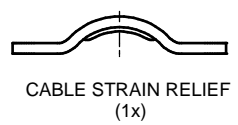
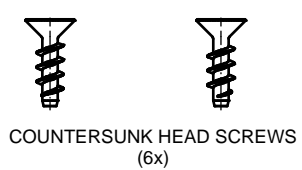


view without cover



HOOD ASSEMBLY CONSISTS OF:

- (b) 1. HOOD + COVER: ABS UL 94 V-0; BLACK
- 2. BLANKING PLUGS: ABS UL 94 V-0; BLACK
- 3. CABLE STRAIN RELIEF: STEEL; NICKEL PLATED
- 4. CLIP: STAINLESS STEEL
- 5. COUNTERSUNK HEAD SCREWS: STEEL; NICKEL PLATED



Directive 2002/95/EC RoHS compliant

THIS DRAWING MAY NOT BE COPIED OR REPRODUCED IN ANY WAY, AND MAY NOT BE PASSED ON TO A THIRD PARTY WITHOUT WRITTEN PERMISSION. OWNERSHIP AND COPYRIGHT OF CONEC GmbH DO NOT ALTER CAD DRAWING BY HAND	finish: see table		tolerance		dim. in mm	scale: 2:1 (1:1)		
						material: see drawing		
			date	name		title: Plastic Hood 50pos with Snap Lock / top and two sides cable exit		
			drawn	12.11.12	Strakerjahn			
			appd.	06.05.14	Koch			
		norm						
		d-old	SK0823Y15		dwg no:			
3 x b	A5357	25.09.14	K.H.			16K1A3137		
a	Original					DIN-A3		
rev.	description	date	name	part no:		(b) 16-001850		
						sh: 1		