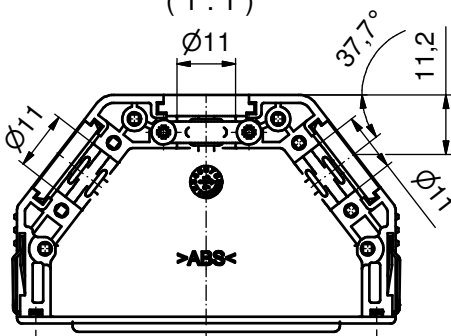


view without cover  
(1:1)



Directive 2002/95/EC RoHS compliant

**HOOD ASSEMBLY CONSISTS OF:**

- (b) 1. HOOD + COVER: ABS UL 94 V-0; BLACK
- 2. BLANKING PLUGS: ABS UL 94 V-0; BLACK
- 3. CABLE STRAIN RELIEF: STEEL; NICKEL PLATED
- 4. CLIP: STAINLESS STEEL
- 5. COUNTERSUNK HEAD SCREWS: STEEL; NICKEL PLATED

THIS DRAWING MAY NOT BE COPIED OR REPRODUCED IN ANY WAY, AND MAY NOT BE PASSED ON TO A THIRD PARTY WITHOUT WRITTEN PERMISSION. OWNERSHIP AND COPYRIGHT OF CONEC GmbH DO NOT ALTER CAD DRAWING BY HAND				tolerance		dim. in mm		scale: 2:1 (1:1)	
				date		name		material: see drawing	
				drawn	13.11.12	Strakerjahn		title: <b>Plastic Hood 37pos</b> with Snap Lock / top and two sides cable exit	
				appd.	06.05.14	Koch			
				norm					
				d-old	SK0823Y15		dwg no:		DIN-A3 sh: 1
3 x b	A5357	25.09.2014	K.H.	<b>CONEC</b>		16K1A3136			
a	Original					part no: (b) 16-001840			
rev.	description	date	name						