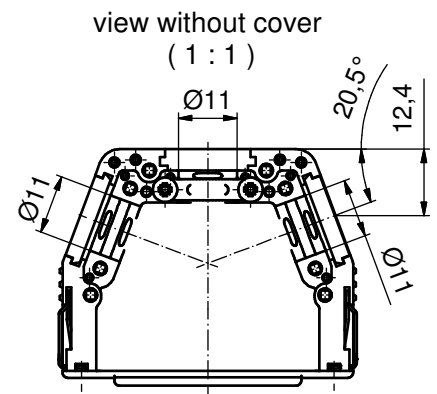
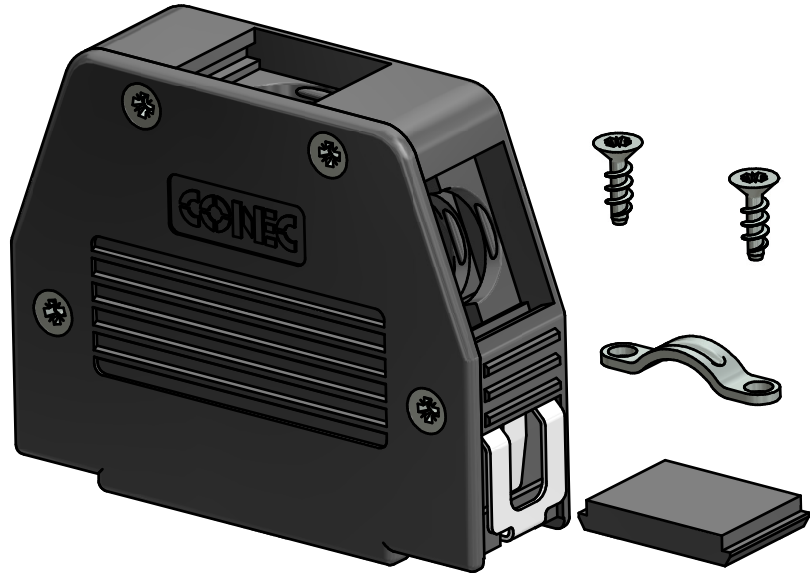
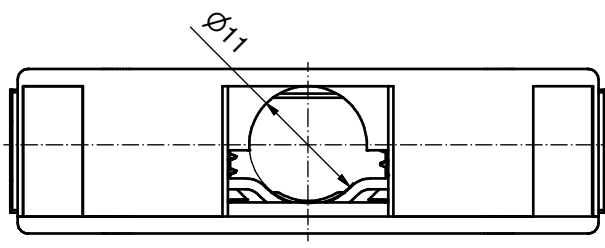
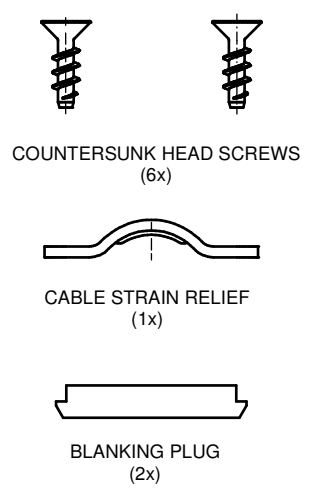
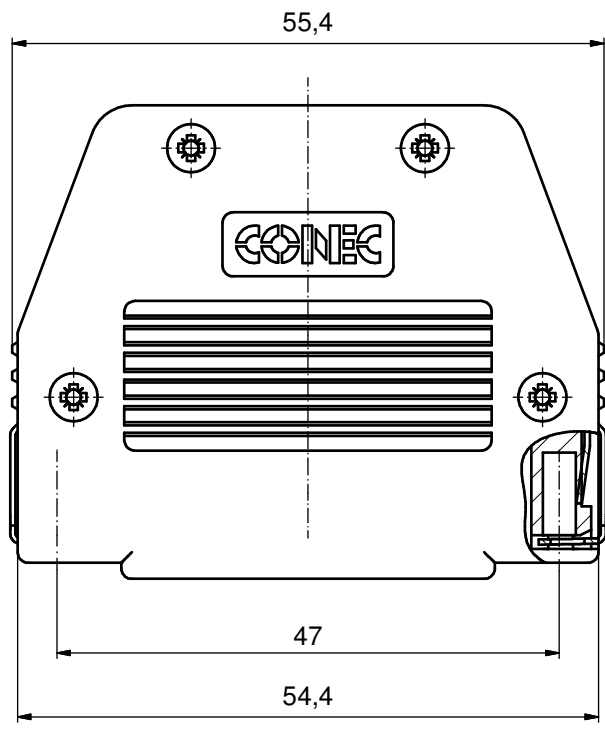
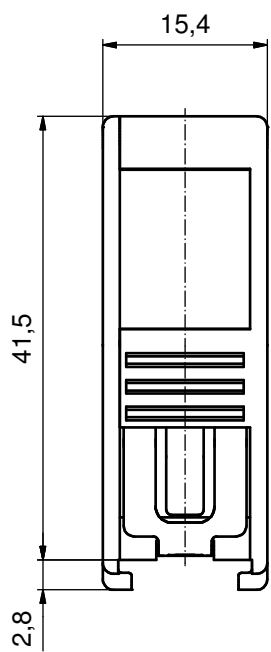


6 5 4 3 2 1



- HOOD ASSEMBLY CONSISTS OF:**
1. HOOD + COVER: ABS UL 94 V-0; BLACK
 2. BLANKING PLUGS: ABS UL 94 V-0; BLACK
 3. CABLE STRAIN RELIEF: STEEL; NICKEL PLATED
 4. CLIP: STAINLESS STEEL
 5. COUNTERSUNK HEAD SCREWS: STEEL; NICKEL PLATED

Directive 2002/95/EC RoHS compliant

THIS DRAWING MAY NOT BE COPIED OR REPRODUCED IN ANY WAY, AND MAY NOT BE PASSED ON TO A THIRD PARTY WITHOUT WRITTEN PERMISSION. OWNERSHIP AND COPYRIGHT OF CONEC GmbH DO NOT ALTER CAD DRAWING BY HAND				tolerance		scale: 2:1 (1:1)
				dim. in mm		material: see drawing
				date	name	title: Plastic Hood 25pos with Snap Lock / top and two sides cable exit
				drawn 12.11.12	Strakerjahn	
				appd. 26.03.14	Koch	
				norm		dwg no: 16K1A3135
			d-old	SK0823Y15		
3 x b	A5357	24.09.2014	K.H.	CONEC		DIN-A3
a	Original					sh: 1
rev.	description	date	name	part no: (b) 16-001830		

6 5 4 3 2 1