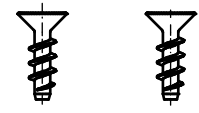
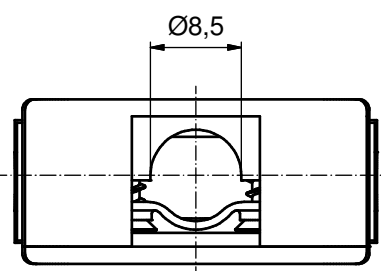
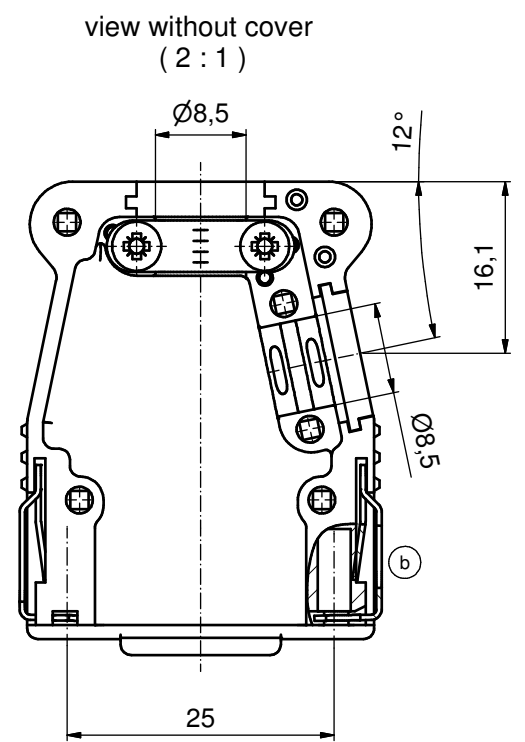
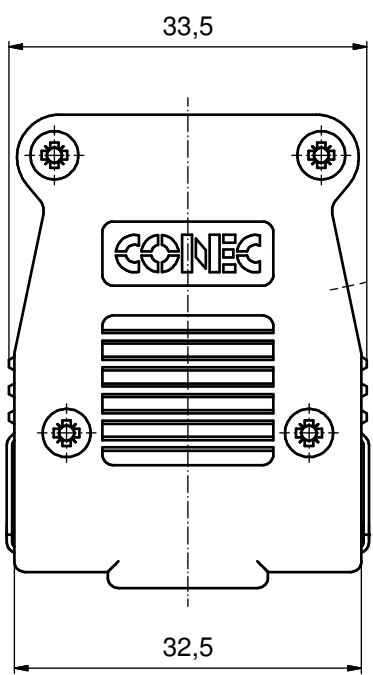
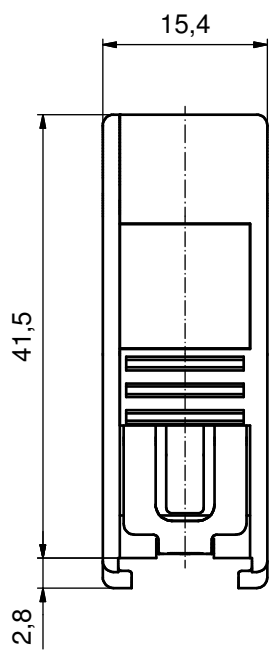


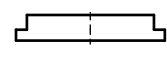
6 5 4 3 2 1



COUNTERSUNK HEAD SCREWS (6x)



CABLE STRAIN RELIEF



BLANKING PLUG



HOOD ASSEMBLY CONSISTS OF:

- 1. HOOD + COVER: ABS UL 94 V-0; BLACK
- 2. BLANKING PLUGS: ABS UL 94 V-0; BLACK
- 3. CABLE STRAIN RELIEF: STEEL; NICKEL PLATED
- 4. CLIP: STAINLESS STEEL
- 5. COUNTERSUNK HEAD SCREWS: STEEL; NICKEL PLATED

Directive 2002/95/EC RoHS compliant

THIS DRAWING MAY NOT BE COPIED OR REPRODUCED IN ANY WAY, AND MAY NOT BE PASSED ON TO A THIRD PARTY WITHOUT WRITTEN PERMISSION. OWNERSHIP AND COPYRIGHT OF CONEC GmbH DO NOT ALTER CAD DRAWING BY HAND				tolerance		scale: 2:1	
				dim. in mm		material: see drawing	
				date	name	title: Plastic Hood 9pos with Snap Lock / top and side cable exit	
				drawn	12.11.12		Strakerjahn
				appd.	26.03.14		Koch
			norm			dwg no: 16K1A3133	
			d-old	SK0823Y1			
3 x b	A5357	24.09.2014	K.H.			DIN-A3	
a	Original					sh: 1	
rev.	description	date	name	part no: (b) 16-001810			

6 5 4 3 2 1