

**Contact assignment/**

*Kontaktbelegung:*

black / schwarz (16 mm <sup>2</sup> )	— ( ) 1
black / schwarz (2,5 mm <sup>2</sup> )	— ( ) 2
red / rot (16 mm <sup>2</sup> )	— ( ) 3
red / rot (2,5 mm <sup>2</sup> )	— ( ) 4
Not externally connected/ <i>nicht angeschlossen</i>	— ( ) 5
red / rot (0,5 mm <sup>2</sup> )	— ( ) 6
black / schwarz (0,5 mm <sup>2</sup> )	— ( ) 7
yellow / gelb (0,5 mm <sup>2</sup> )	— ( ) 8
green / grün (0,5 mm <sup>2</sup> )	— ( ) 9

ISO-Views without protection cap/  
*Ansichten ohne Schutzkappe*

Version with landing plate /  
*Ausf.mit Landeplatte*



Version without landing plate /  
*Ausf.ohne Landeplatte*



ISO-Views without protection cap/  
*Ansichten ohne Schutzkappe*

**Technical specification/**

*Technische Daten:*

Rated voltage/ <i>Bemessungsspannung</i>	12 V DC
Current rating/ <i>Strombelastbarkeit:</i>	16,0 mm <sup>2</sup> : 60 A at 40 °C 2,5 mm <sup>2</sup> : 15 A at 40 °C 0,5 mm <sup>2</sup> : 5 A at 40 °C
Temperature range	-40 °C ... +85 °C
Connector/ <i>Umgebungstemperatur</i> <i>Stecker:</i>	
Temperature range	fixed/ -40 °C ... +85 °C <i>fest:</i>
Wire/ <i>Umgebungstemperatur</i> <i>Leitung:</i>	moved/ -20 °C ... +85 °C <i>bewegt:</i>
Degree of protection/ <i>Schutzart:</i>	IP67, in mated condition <i>IP67, im gesteckten Zustand</i>
Wire cross section/ <i>Anschlussquerschnitt:</i> <i>(Isobus)</i>	2 x 16 mm <sup>2</sup> 2 x 2,5 mm <sup>2</sup> 1 x 4 x 0,5 mm <sup>2</sup> (b)
Mating cycles/ <i>Steckzyklen:</i>	>=100
Housing/ <i>Gehäuse:</i>	Erich Jaeger Plug, black / schwarz

**Materials/**

*Werkstoffe:*

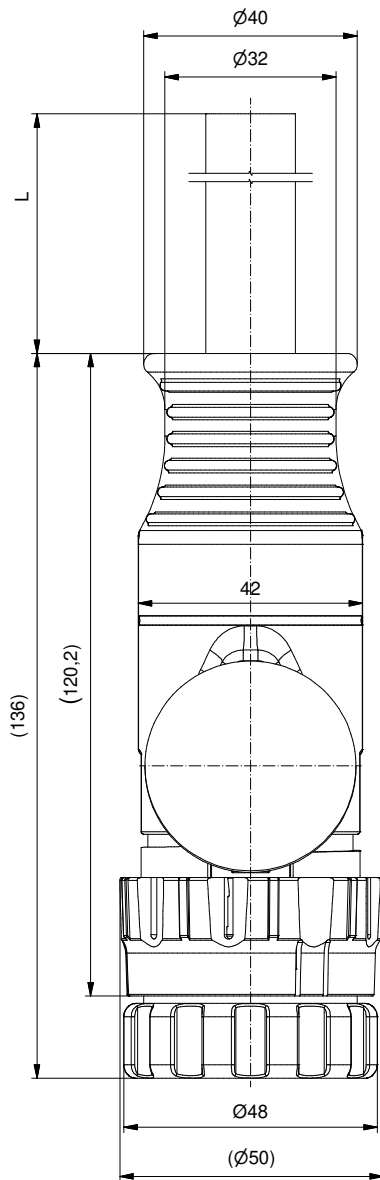
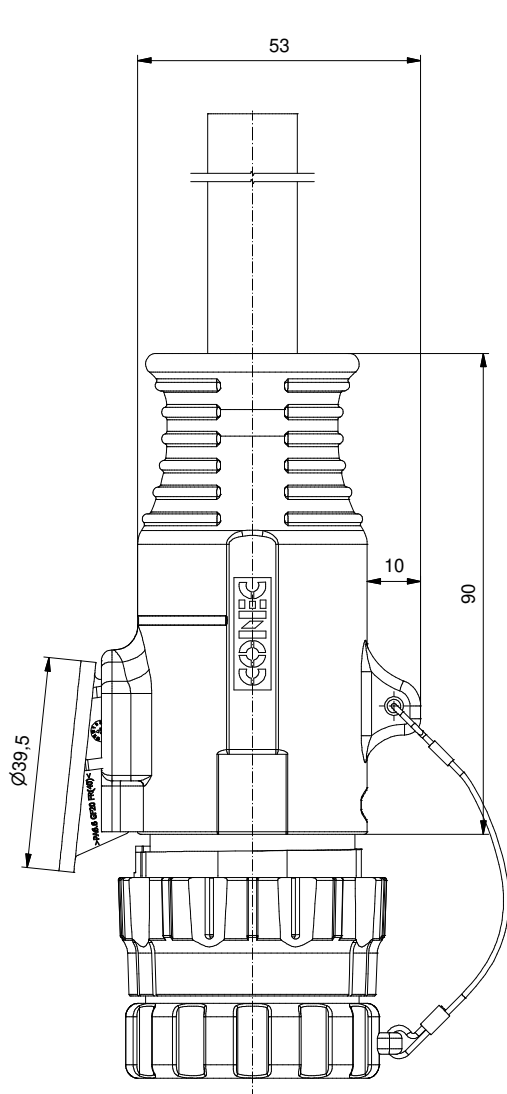
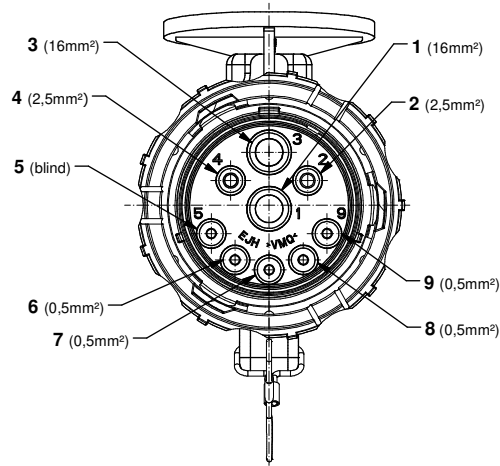
Contact/ <i>Kontakt:</i>	Copper alloy/ Kupferlegierung
Contact carrier/ <i>Kontaktträger</i>	PA GF UL94
Contact plating/ <i>Kontaktoberfläche:</i>	Ni
Overmolding/ <i>Umspritzung:</i>	TPU, UL 94, V-0 black / schwarz
Sealing/ <i>Dichtung:</i>	Silicon/ Silikon
Protective cap/ <i>Schutzkappe:</i>	PA6.6 UL94 V-0, black / schwarz
Landing plate / <i>Landeplatte</i>	PA6.6 UL94 V-0, black / schwarz

Part.-no./ Art.-Nr.:	Description/ Beschreibung:	Cable length "L" Kabellänge "L":	Type/ Ausführung	Cable/ Kabel:
55-10070	EJ-9-S-L1/1600P/2m	2 m	With landing plate round/ mit Landeplatte rund	PUR, Hybrid 2 x 16,0 mm <sup>2</sup> ; 2 x 2,5 mm <sup>2</sup> ; 1x4 x 0,5 mm <sup>2</sup> , Cable / Kabel : 781-BS0275 (b)
55-10071	EJ-9-S-L1/1600P/5m	5 m		
55-10072	EJ-9-S-L1/1600P/10m	10 m		
55-xxxx	EJ-9-S-L1/1600P/...m	... m		
55-10073	EJ-9-S/1600P/2m	2 m	Without landing plate/ ohne Landeplatte	
55-10074	EJ-9-S/1600P/5m	5 m		
55-10075	EJ-9-S/1600P/10m	10 m		
55-xxxx	EJ-9-S/1600P/...m	... m		

tolerance of cable/ <i>Kabeltoleranz:</i>	L <= 12m: L + 120mm L > 12m: L + 1%	dim. in mm	Isobus 9pos./16 mm <sup>2</sup> connector Type EJ Plug <i>Isobus 9pol./16 mm<sup>2</sup> Steckverbinder</i>	
general tolerance/ <i>Allgemeintoleranz:</i>	0 ± 0,50 mm 0,0 ± 0,25 mm 0,00 ± 0,10 mm x ± 5°			
Index: b Ä21-0200 07.06.21 KHE	scale/ Maßstab: 1 : 1 (Div.)		dwg no / Z.-nr.:	55K1A297
RoHS compliant/konform				DIN-A3 1 / 2

The reproduction, distribution and utilization of this document as well as the communication of its contents to others without express authorization is prohibited. Offenders will be held liable for the payment of damages. For further information on the legal liability of our information, please refer to our website: www.conec.com.

View without protective cap /  
Ansicht ohne Schutzkappe



tolerance of cable/ Kabeltoleranz:	L ≤ 12m: L + 120mm L > 12m: L + 1%
general tolerance/ Allgemeintoleranz:	0 ± 0,50 mm 0,0 ± 0,25 mm 0,00 ± 0,10 mm x ± 5°
Index: b Ä21-0200 07.06.21 KHE	scale/Maßstab: 1 : 1 (Div.)
RoHS compliant/konform	

dim. in mm	
Date/Datum	Name
drawn/ gez.	04.04.2017 Heinrich
appd./ gepr.	04.04.2017 Strakerjahn
<b>CONNEC</b> ®	

Isobus 9pos./16 mm<sup>2</sup> connector  
Type EJ Plug  
Isobus 9pol./16 mm<sup>2</sup> Steckverbinder

dwg no / Z.-nr.:	55K1A297	DIN- A3
		2 / 2

The reproduction, distribution and utilization of this document as well as the communication of its content to others without express authorization is prohibited. Offenders will be held liable for the payment of damages. We reserve the right to withdraw advertising and notices, to change specifications and to discontinue production without notice.