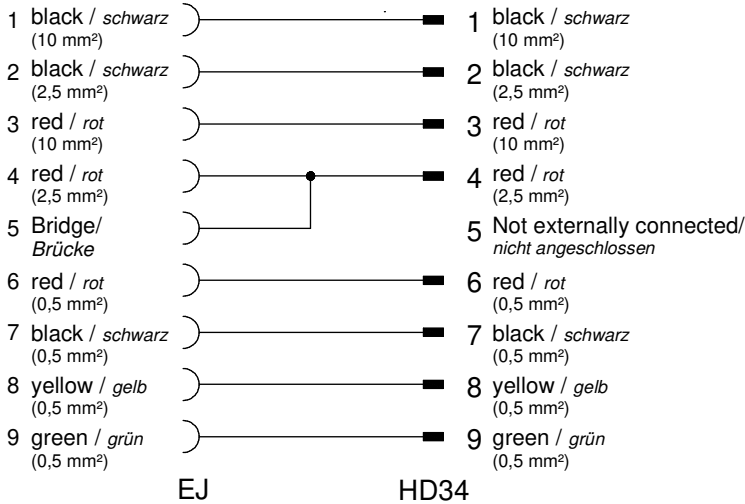


Contact assignment/

Kontaktbelegung:



Technical specification/

Technische Daten:

Rated voltage/ Bemessungsspannung	12 V DC
Current rating/ Strombelastbarkeit:	10 mm ² : 35 A at 40 °C 2,5 mm ² : 15 A at 40 °C 0,5 mm ² : 5 A at 40 °C
Temperature range	-40 °C ... +85 °C
Connector/ Umgebungstemperatur Stecker:	
Temperature range	fixed/ -40 °C ... +85 °C moved/ -20 °C ... +85 °C
Wire/ Umgebungstemperatur Leitung:	
Wire cross section/ Anschlussquerschnitt: (Isobus)	2 x 10 mm ² 2 x 2,5 mm ² 4 x 0,5 mm ²
Mating cycles/ Steckzyklen:	>=100
Housing/ Gehäuse:	Erich Jaeger Plug black / schwarz HD34-24-91PE-072

Materials EJ-9S/

Werkstoffe EJ-9S:

Contact/ Kontakt:	Copper alloy/ Kupferlegierung
Contact carrier/ Kontaktträger	PA GF UL94
Contact plating/ Kontaktoberfläche:	Ni
Overmolding/ Umspritzung:	TPU, UL 94, V-0 black / schwarz
Sealing/ Dichtung:	Silicon/ Silikon
Protective cap/ Schutzkappe:	PA6.6 UL94 V-0, black / schwarz
Landing plate / Landeplatte	PA6.6 UL94 V-0, black / schwarz

Materials HD34-24/

Werkstoffe HD34-24:

Contact/ Kontakt:	Copper alloy/ Kupferlegierung
Contact plating/ Kontaktoberfläche:	Ni
Contact carrier/ Kontaktträger:	Thermoplastic/ Thermoplast
Housing/ Gehäuse:	Aluminium/ Aluminium
Sealing/ Dichtung:	Silicon/ Silikon



Part-no./Art.-Nr.: Conec	Description/ Beschreibung:	Cable length "L" Kabellänge "L":	Cable/ Kabel:
55-10133	EJ-9S-L1-HD34-24-91-P/1000P/6m	6 m	PUR, Hybrid; 2x10 mm ² ; 2x2,5 mm ² 4x0,5 mm ² Cable / Kabel : 781-BS0274
55-10134	EJ-9S-L1-HD34-24-91-P/1000P/9m	9 m	
55-10135	EJ-9S-L1-HD34-24-91-P/1000P/12m	12 m	
55-xxxxx	EJ-9S-L1-HD34-24-91-P/1000P/..m	... m	

PRELIMINARY

CUSTOMER APPROVAL DATE:

NAME:

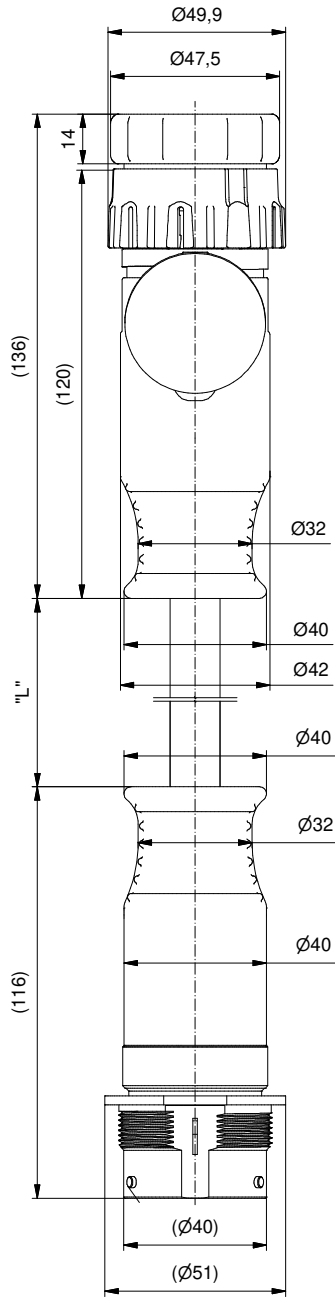
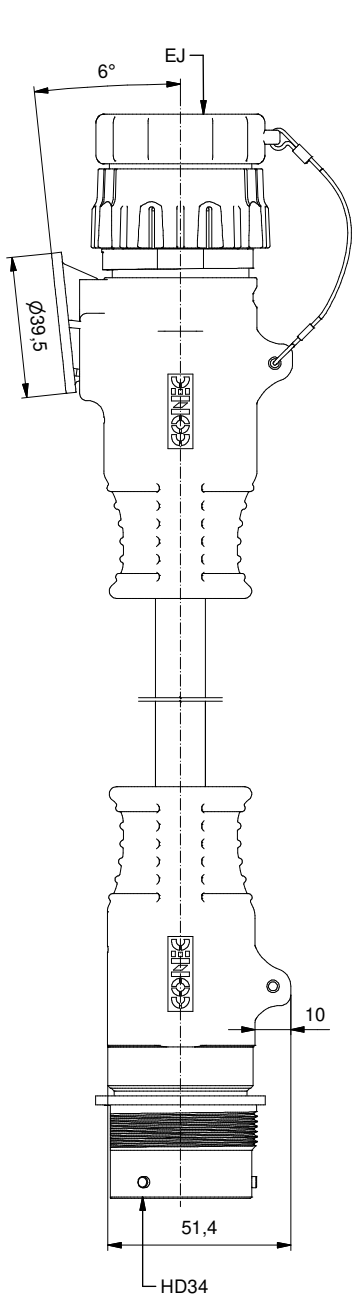
COMPANY NAME:

26.08.21

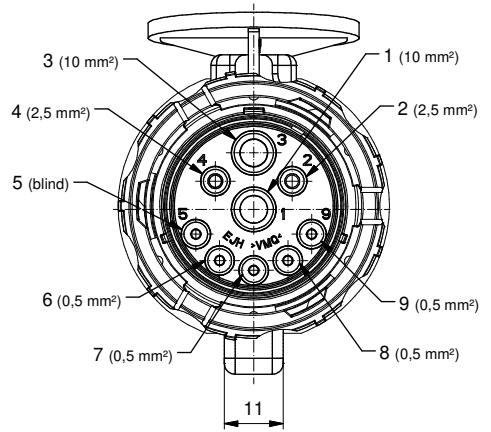
tolerance of cable/ Kabeltoleranz:	L <= 12 m: L + 120 mm L > 12 m: L + 1%	dim. in mm	Connecting cable Type EJ Plug + HD34 Verbindungsleitung Typ EJ + HD34	
general tolerance/ Allgemeintoleranz:	0 ± 0,50 mm 0,0 ± 0,25 mm 0,00 ± 0,10 mm x ± 5°	Date/Datum		
Index: b Ä21-0316 23.08.21 KHE	scale/Maßstab: 1 : 1	drawn/ gez.	11.02.2019	Henneboel
RoHS compliant/konform		appd./ gepr.	11.02.2019	Strakerjahn
		dwg no / Z.-nr.:		55K1A649
				DIN-A3 1 / 2



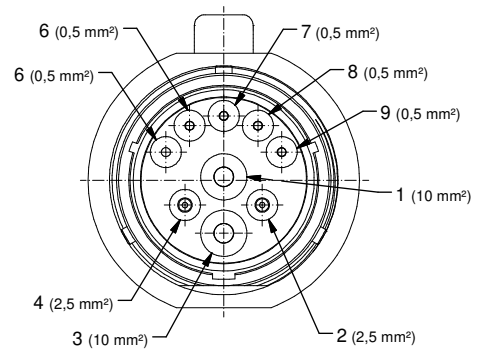
The reproduction, distribution and utilization of this document as well as the communication of its contents to third parties without express authorization is prohibited. Offenders will be held liable for the payment of damages. We reserve the right to remove additional data at any time if this becomes necessary. Copyright © 2021 Erich Jaeger GmbH, Germany. All rights reserved. Erich Jaeger GmbH, Germany. Alle Rechte vorbehalten. Erich Jaeger GmbH, Germany. Alle Rechte vorbehalten.



Isobus EJ (1 : 1)
View without protective cover /
Ansicht ohne Schutzkappe



Isobus HD34 (1 : 1)



tolerance of cable/ Kabeltoleranz:	L ≤ 12 m: L + 120 mm L > 12 m: L + 1%
general tolerance/ Allgemeintoleranz:	0 ± 0,50 mm 0,0 ± 0,25 mm 0,00 ± 0,10 mm x ± 5°
Index: b Ä21-0316 23.08.21 KHE	scale/Maßstab: 1 : 1
RoHS compliant/konform	



dim. in mm

	Date/Datum	Name
drawn/ gez.	11.02.2019	Henneboel
appd./ gepr.	11.02.2019	Strakerjahn



Connecting cable
Type EJ Plug + HD34
Verbindungsleitung
Typ EJ + HD34

dwg no /
Z.-nr.: 55K1A649

DIN-
A3

2 / 2

The reproduction, distribution and utilization of this document as well as the communication of its content to others without express authorization is prohibited. Offenders will be held liable for the payment of damages. In the event of a dispute, the courts of the place of origin of the document shall have jurisdiction.