

**Contact assignment/
Kontaktbelegung:**

black / schwarz (10 mm ²)	— () 1
black / schwarz (2,5 mm ²)	— () 2
red / rot (10 mm ²)	— () 3
red / rot (2,5 mm ²)	— () 4
Not externally connected/ nicht angeschlossen	— () 5
red / rot (0,5 mm ²)	— () 6
black / schwarz (0,5 mm ²)	— () 7
yellow / gelb (0,5 mm ²)	— () 8
green / grün (0,5 mm ²)	— () 9

ISO-Views without protection cap/
Ansichten ohne Schutzkappe

View with landing plate /
Ansicht mit Landeplatte



**Technical specification/
Technische Daten:**

Rated voltage/ Bemessungsspannung	12 V DC
Current rating/ Strombelastbarkeit:	10,0 mm ² : 35 A at 40 °C 2,5 mm ² : 15 A at 40 °C 0,5 mm ² : 5 A at 40 °C
Temperature range	-40 °C ... +85 °C
Connector/ Umgebungstemperatur Stecker:	
Temperature range	fixed/ -40 °C ... +85 °C fest:
Wire/ Umgebungstemperatur Leitung:	moved/ -20 °C ... +85 °C bewegt:
Degree of protection/ Schutzart:	IP67, in mated condition IP67, im gesteckten Zustand
Wire cross section/ Anschlussquerschnitt: (Isobus)	2 x 10,0 mm ² 2 x 2,5 mm ² 4 x 0,5 mm ²
Mating cycles/ Steckzyklen:	>=100
Housing/ Gehäuse:	Erich Jaeger Plug black / schwarz

**Materials/
Werkstoffe:**

Contact/ Kontakt:	Copper alloy/ Kupferlegierung
Contact carrier/ Kontaktträger	PA GF UL94
Contact plating/ Kontaktoberfläche:	Ni
Overmolding/ Umspritzung:	TPU, UL 94, V-0 black/ schwarz
Sealing/ Dichtung:	Silicon/ Silikon
Protective cap/ Schutzkappe:	PA6.6 UL94 V-0, black / schwarz
Landing plate / Landeplatte	PA6.6 UL94 V-0, black / schwarz
Corrugated tube/ Wellrohr:	PA6 UL94 HB, black/schwarz

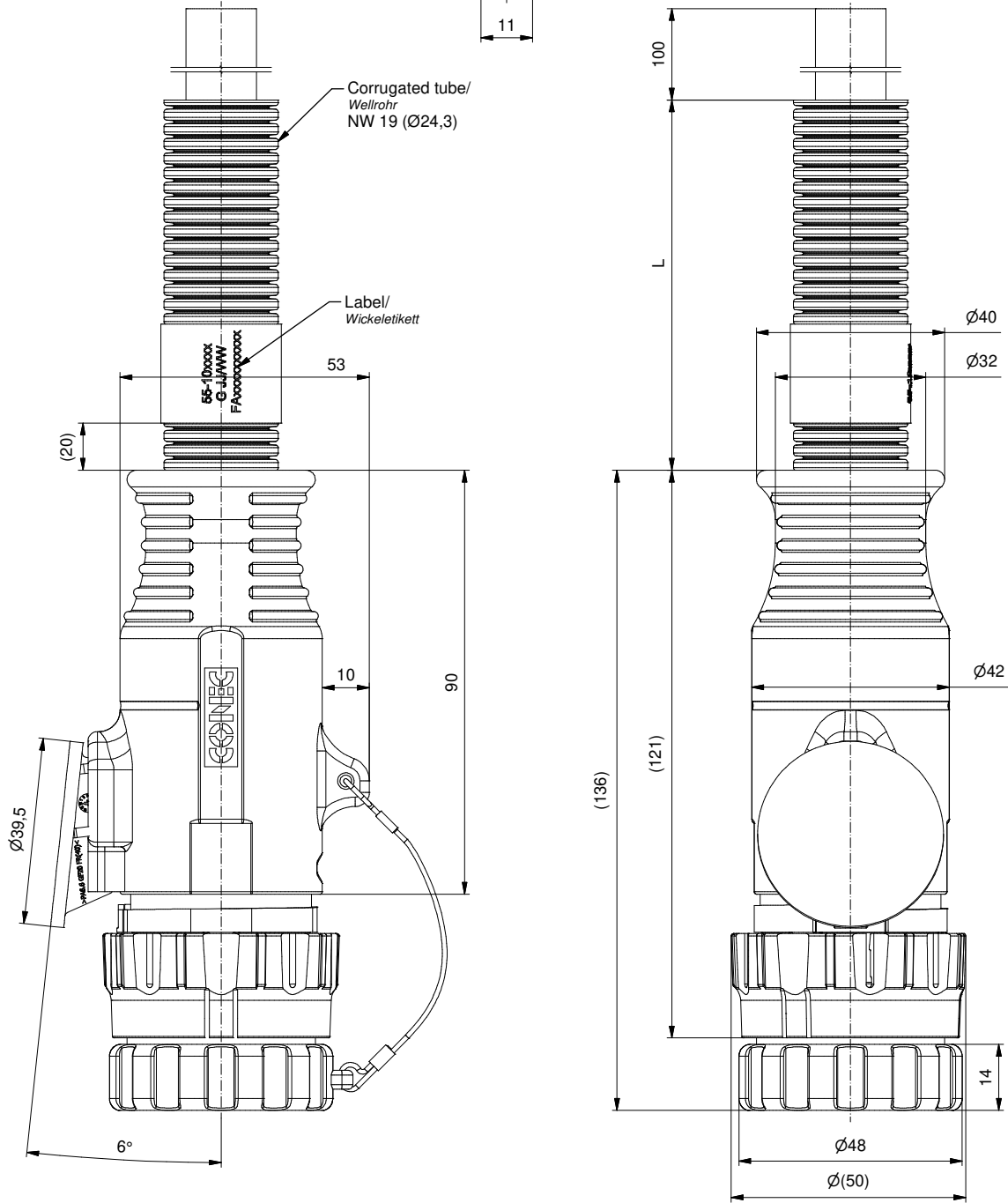
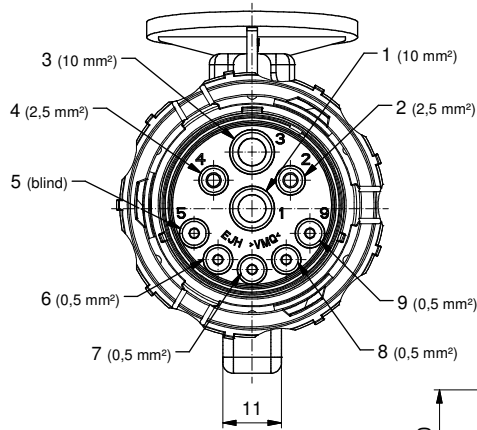
PRELIMINARY	
CUSTOMER APPROVAL DATE:	
NAME:	
COMPANY NAME:	
26.08.21	

Part-no./ Art.-Nr.:	Description/ Beschreibung:	Cable length "L" Kabellänge "L":	Type/ Ausführung	Cable/ Kabel:
55-10113	EJ-9-S-L1-W/1000P/2m	2 m	With landing plate round/ mit Landeplatte rund	PUR, Hybrid 2 x 10,0 mm ² ; 2 x 2,5 mm ² ; 4 x 0,5 mm ² ; Cable / Kabel: 781-BS0274 b
55-10114	EJ-9-S-L1-W/1000P/5m	5 m		
55-10115	EJ-9-S-L1-W/1000P/10m	10 m		
55-xxxx	EJ-9-S-L1-W/1000P/...m	... m		
55-101..	EJ-9-S-W/1000P/2m	2 m	Without landing plate/ ohne Landeplatte	
55-101..	EJ-9-S-W/1000P/5m	5 m		
55-101..	EJ-9-S-W/1000P/10m	10 m		
55-xxxx	EJ-9-S-W/1000P/...m	... m		

tolerance of cable/ Kabeltoleranz:	L <= 12m: L + 120mm L > 12m: L + 1%	dim. in mm	Isobus 9pos./10 mm ² connector Type EJ Plug Isobus 9pol./10 mm ² Steckverbinder	
general tolerance/ Allgemeintoleranz:	0 ± 0,50 mm 0,0 ± 0,25 mm 0,00 ± 0,10 mm x ± 1,5°			
Index: b Ä21-0316 23.08.21 KHE	scale/Maßstab: 1:1	Date/Datum 08.02.2019	Name Henneboel	dwg no / Z.-nr.: 55K1A647
RoHS compliant/konform		appd./ gepr. 08.02.2019	Strakerjahn	

This reproduction, distribution and utilization of this document as well as the communication of its contents to others without express authorization is prohibited. Offenders will be held liable for the payment of damages. We reserve the right to withdraw advertising and other information without notice.

View without protective cover /
Ansicht ohne Schutzkappe



tolerance of cable/ Kabeltoleranz:	L ≤ 12m: L + 120mm L > 12m: L + 1%
general tolerance/ Allgemeintoleranz:	0 ± 0,50 mm 0,0 ± 0,25 mm 0,00 ± 0,10 mm x ± 1,5°
Index:	b Ä21-0316 23.08.21 KHE
RoHS compliant/konform	

dim. in mm	
Date/Datum	Name
drawn/ gez.	08.02.2019 Henneboel
appd./ gepr.	08.02.2019 Strakerjahn
scale/Maßstab: 1:1	
CONEC ®	

Isobus 9pos./10 mm² connector Type EJ Plug Isobus 9pol./10 mm² Steckverbinder	
dwg no / Z.-nr.:	55K1A647
DIN-A3	2 / 2

The reproduction, distribution and utilization of this document as well as the communication of its contents to others without express authorization is prohibited. Offenders will be held liable for the payment of damages. We reserve the right to withdraw advertising and notices, without notice and without obligation.