

**Contact assignment/**

*Kontaktbelegung:*

- black / schwarz (10 mm<sup>2</sup>) ————— 1
- black / schwarz (2,5 mm<sup>2</sup>) ————— 2
- red / rot (10 mm<sup>2</sup>) ————— 3
- red / rot (2,5 mm<sup>2</sup>) —●——— 4
- Not externally connected/ nicht angeschlossen ———— 5
- red / rot (0,5 mm<sup>2</sup>) ————— 6
- black / schwarz (0,5 mm<sup>2</sup>) ————— 7
- yellow / gelb (0,5 mm<sup>2</sup>) ————— 8
- green / grün (0,5 mm<sup>2</sup>) ————— 9

**Technical specification/**

*Technische Daten:*

|   |   |
|---|---|
| Rated voltage/<br><i>Bemessungsspannung</i>                     | 12 V DC   |
| Current rating/<br><i>Strombelastbarkeit:</i>                   | 10,0 mm <sup>2</sup> : 35 A at 40 °C<br>2,5 mm <sup>2</sup> : 15 A at 40 °C<br>0,5 mm <sup>2</sup> : 5 A at 40 °C |
| Temperature range   | -40 °C ... +85 °C   |
| Connector/<br><i>Umgebungstemperatur Stecker:</i>               |   |
| Temperature range   | fixed/ -40 °C ... +85 °C<br>fest:<br>moved/ -20 °C ... +85 °C<br>bewegt:  |
| Degree of protection/<br><i>Schutzart:</i>                      | IP67, in mated condition<br>IP67, im gesteckten Zustand   |
| Wire cross section/<br><i>Anschlussquerschnitt:</i><br>(Isobus) | 2 x 10 mm <sup>2</sup><br>2 x 2,5 mm <sup>2</sup><br>4 x 0,5 mm <sup>2</sup>                                      |
| Mating cycles/<br><i>Steckzyklen:</i>                           | >=100   |
| Housing/<br><i>Gehäuse:</i>                                     | Erich Jaeger Plug,<br>black / schwarz   |

ISO-Views without protection cap/  
*Ansichten ohne Schutzkappe*

Version with landing plate /  
*Ausf.mit Landeplatte*



Version without landing plate /  
*Ausf.ohne Landeplatte*

**Materials/**

*Werkstoffe:*

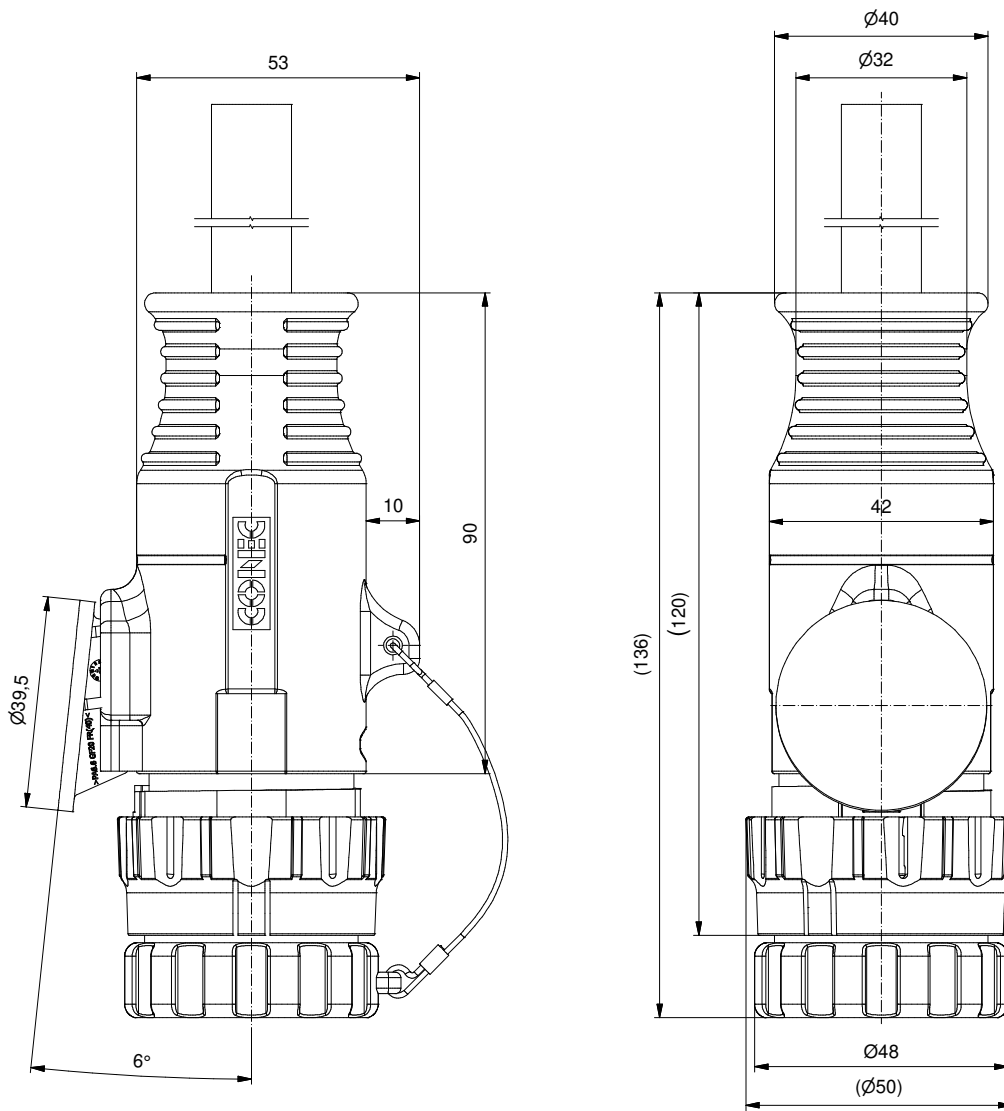
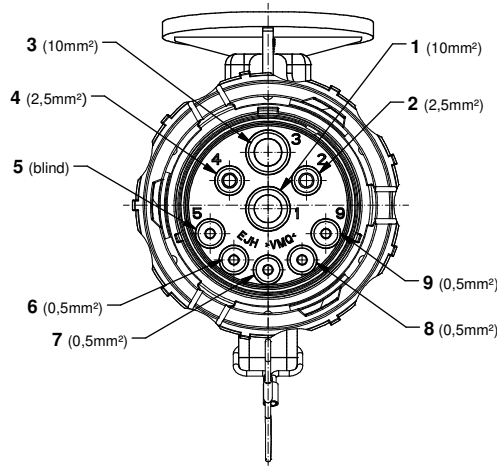
|   |                                    |
|---|------------------------------------|
| Contact/<br><i>Kontakt:</i>                   | Copper alloy/<br>Kupferlegierung   |
| Contact carrier/<br><i>Kontaktträger</i>      | PA GF UL94                         |
| Contact plating/<br><i>Kontaktoberfläche:</i> | Ni                                 |
| Overmolding/<br><i>Umspritzung:</i>           | TPU, UL 94, V-0<br>black/ schwarz  |
| Sealing/<br><i>Dichtung:</i>                  | Silicon/<br>Silikon                |
| Protective cap/<br><i>Schutzkappe:</i>        | PA 6.6 UL94 V-0<br>black/schwarz   |
| Landing plate /<br><i>Landeplatte</i>         | PA6.6 UL94 V-0,<br>black / schwarz |

| Part.-no./<br><i>Art.-Nr.:</i> | Description/<br><i>Beschreibung:</i> | Cable length "L"<br><i>Kabellänge "L":</i> | Type/<br><i>Ausführung</i>                        | Cable/<br><i>Kabel:</i>  |
|--------------------------------|--------------------------------------|--|---|--|
| 55-10064                       | EJ-9-S-L1/1000P/2m                   | 2 m  | With landing plate round/<br>mit Landeplatte rund | PUR, Hybrid<br>2 x 10,0 mm <sup>2</sup> ;<br>2 x 2,5 mm <sup>2</sup> ;<br>4 x 0,5 mm <sup>2</sup> ;<br>Cable / Kabel :<br>781-BS0274 |
| 55-10065                       | EJ-9-S-L1/1000P/5m                   | 5 m  |   |  |
| 55-10143                       | EJ-9-S-L1/1000P/6,5m                 | 6,5 m                                      |   |  |
| 55-10156                       | EJ-9-S-L1/1000P/7,5m                 | 7,5 m                                      |   |  |
| 55-10151                       | EJ-9-S-L1/1000P/8m                   | 8 m  |   |  |
| 55-10066                       | EJ-9-S-L1/1000P/10m                  | 10 m                                       |   |  |
| 55-xxxx                        | EJ-9-S-L1/1000P/...m                 | ... m                                      |   |  |
| 55-10067                       | EJ-9-S/1000P/2m                      | 2 m  | Without landing plate/<br>ohne Landeplatte        |  |
| 55-10068                       | EJ-9-S/1000P/5m                      | 5 m  |   |  |
| 55-10069                       | EJ-9-S/1000P/10m                     | 10 m                                       |   |  |
| 55-xxxx                        | EJ-9-S/1000P/...m                    | ... m                                      |   |  |

|   |  |  |   |       |            |                     |             |                        |                            |          |
|---|--|--|---|-------|------------|---------------------|-------------|------------------------|----------------------------|----------|
| tolerance of cable/<br><i>Kabeltoleranz:</i>    | L <= 12m: L + 120mm<br>L > 12m: L + 1%                   | dim. in mm   | Isobus 9pos./10 mm <sup>2</sup> connector<br>Type EJ Plug<br><i>Isobus 9pol./10 mm<sup>2</sup> Steckverbinder</i> |       |            |                     |             |                        |                            |          |
| general tolerance/<br><i>Allgemeintoleranz:</i> | 0 ± 0,50 mm<br>0,0 ± 0,25 mm<br>0,00 ± 0,10 mm<br>x ± 5° |  |   |       |            |                     |             |                        |                            |          |
| Index: c Ä21-0316 20.08.21 KHE                  | scale/Maßstab:<br>1 : 1<br>(Div.)                        | <table border="1"> <tr> <td>Date/Datum</td> <td>Name</td> </tr> <tr> <td>drawn/gez.</td> <td>04.04.2017 Heinrich</td> </tr> <tr> <td>appd./gepr.</td> <td>04.04.2017 Strakerjahn</td> </tr> </table> | Date/Datum  | Name  | drawn/gez. | 04.04.2017 Heinrich | appd./gepr. | 04.04.2017 Strakerjahn | dwg no /<br><i>Z.-nr.:</i> | 55K1A293 |
| Date/Datum                                      | Name   |  |   |       |            |                     |             |                        |                            |          |
| drawn/gez.                                      | 04.04.2017 Heinrich                                      |  |   |       |            |                     |             |                        |                            |          |
| appd./gepr.                                     | 04.04.2017 Strakerjahn                                   |  |   |       |            |                     |             |                        |                            |          |
| RoHS compliant/ <i>konform</i>                  |  | <b>CONEC</b> <sup>®</sup>  | DIN-A3  | 1 / 2 |            |                     |             |                        |                            |          |

This reproduction, distribution and utilization of this document as well as the communication of its contents to others without express authorization is prohibited. Offenders will be held liable for the payment of damages. For further information on this subject, please contact your dealer or the manufacturer. © 2017 Erich Jaeger GmbH, Germany.

View without protective cap /  
Ansicht ohne Schutzkappe



|  |  |
|--|--|
| tolerance of cable/<br>Kabeltoleranz:    | L ≤ 12m: L + 120mm<br>L > 12m: L + 1%                    |
| general tolerance/<br>Allgemeintoleranz: | 0 ± 0,50 mm<br>0,0 ± 0,25 mm<br>0,00 ± 0,10 mm<br>x ± 5° |
| Index: c Ä21-0316 20.08.21 KHE           | scale/Maßstab:<br>1 : 1<br>(Div.)                        |
| RoHS compliant/konform                   |  |

|                 |             |
|-----------------|-------------|
| dim. in mm      |             |
| drawn/<br>gez.  | Date/Datum  |
| appd./<br>gepr. | Name        |
| 04.04.2017      | Heinrich    |
| 04.04.2017      | Strakerjahn |
| <b>CONEC</b> ®  |             |

Isobus 9pos./10 mm<sup>2</sup> connector  
Type EJ Plug  
Isobus 9pol./10 mm<sup>2</sup> Steckverbinder

|                     |          |            |
|---------------------|----------|------------|
| dwg no /<br>Z.-nr.: | 55K1A293 | DIN-<br>A3 |
|                     |          | 2 / 2      |

The reproduction, distribution and utilization of this document as well as the communication of its content to others without express authorization is prohibited. Offenders will be held liable for the payment of damages. We reserve the right to withdraw advertising and notices, to change specifications and to change the design of the product without notice.