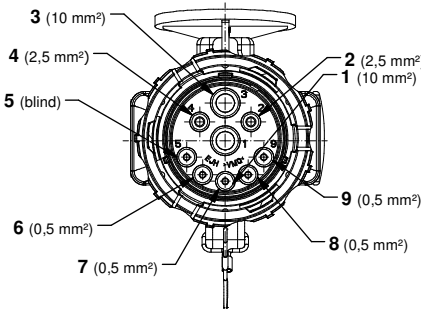
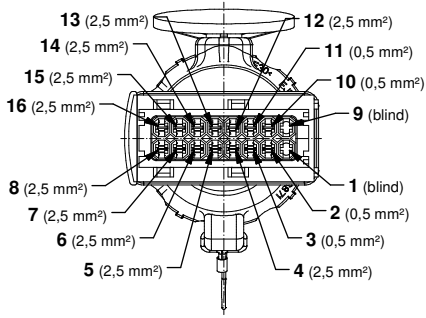


JPT-16-S

View without dust cap /  
Ansicht ohne Staubschutzkappe  
EJ-9-S



**Technical specification/  
Technische Daten:**

Rated voltage / Strombelastbarkeit	12 V DC
Current rating/ Strombelastbarkeit:	10 mm <sup>2</sup> : 35 A at 40°C 2,5 mm <sup>2</sup> : 15 A at 40°C 0,5 mm <sup>2</sup> : 5 A at 40°C
Temperature range	
Connector/ Umgebungstemperatur	
Stecker:	Isobus: -40°C ... +85°C JPT: -40°C ... +80°C
Temperature range	fixed/ -40°C ... +85°C
wire / Umgebungstemperatur	fest/ -20°C ... +80°C
Leitung:	mov./ -20°C ... +80°C
Degree of protection/ Schutzart:	IP67, in mated condition IP67, im gesteckten Zustand
Wire cross section/ Anschlussquerschnitt:	2 x 10 mm <sup>2</sup> 2 x 2,5 mm <sup>2</sup> 4 x 0,5 mm <sup>2</sup>
(Isobus)	
Wire cross section/ Anschlussquerschnitt:	10 x 2,5 mm <sup>2</sup> 4 x 0,5 mm <sup>2</sup>
(JPT)	
Mating cycles/ Steckzyklen:	>=100 (Isobus) >= 10 (JPT)
Housing/ Gehäuse:	
Isobus:	Erich Jaeger Plug, black / schwarz
JPT 16pol.:	AMP JPT GEH KPL 16P, black / schwarz

**Materials/  
Werkstoffe:**

Contact/ Kontakt:	
Isobus:	CuZn
JPT:	CuFe 2 (2,5 mm <sup>2</sup> ) CuSn 4 (0,5 mm <sup>2</sup> )

**Contact plating/  
Kontaktoberfläche:**

Isobus:	Ni
JPT:	Sn

**Contact carrier/  
Kontaktträger:**

Isobus:	Thermoplast
JPT:	PBT / ASA - GF 30

**Overmolding/  
Umspritzung:**

JPT:	TPU, UL 94, V-0 black/ schwarz
------	-----------------------------------

**Sealing/  
Dichtung:**

JPT:	Silicon/ Silikon
------	---------------------

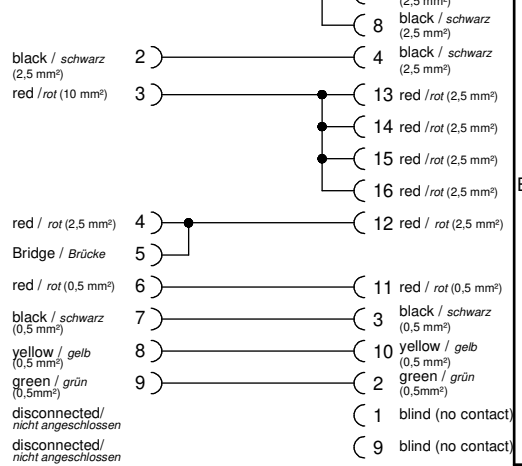
**Landing plate/  
Landeplatte:**

JPT:	PA6.6 UL94 V-0, black/schwarz
------	----------------------------------

**Protection cap/  
Schutzkappe:**

JPT:	PA6.6 UL94 V-0, black/schwarz
------	----------------------------------

**Contact assignment/  
Kontaktbelegung:**



**Isobus EJ**

**JPT-16-S**

**PRELIMINARY**

CUSTOMER APPROVAL DATE:

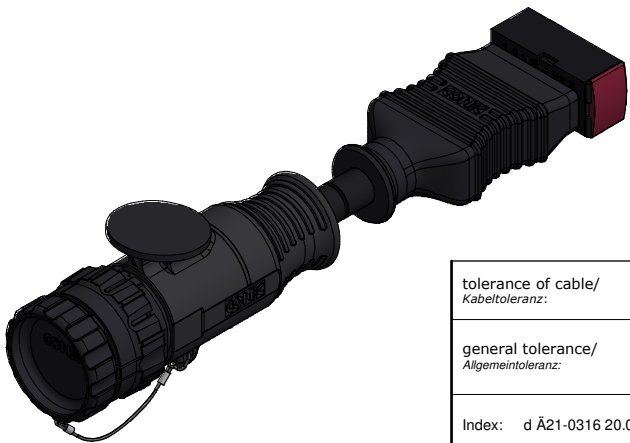
NAME:

COMPANY NAME:

26.08.21

Part.-no./ Art.-Nr.:	Description/ Beschreibung:	Cable length "L" Kabellänge "L":	Cable/ Kabel:
55-10116	EJ-9-S-L1 - JPT-16-S/1000P/4m	4 m	
55-10055	EJ-9-S-L1 - JPT-16-S/1000P/11m	11 m	PUR, Hybrid 2 x 10mm <sup>2</sup> ; 2 x 2,5mm <sup>2</sup> ; 4x0,5mm <sup>2</sup> , Cable / Kabel: 781-BS0274
55-10082	EJ-9-S-L1 - JPT-16-S/1000P/14m	14 m	
55-xxxx	EJ-9-S-L1 - JPT-16-S/1000P/...m	... m	

tolerance of cable/ Kabeltoleranz:	L <= 12m: L + 120mm L > 12m: L + 1%	dim. in mm	Connecting cable Isobus 9pos. / 10 mm <sup>2</sup>  VB-Leitung Isobus 9 pol. / 10 mm <sup>2</sup>
general tolerance/ Allgemeintoleranz:	0 ± 0,50 mm 0,0 ± 0,25 mm 0,00 ± 0,10 mm * ± 5°	Date/Datum: 22.02.2017 Name: Heinrich	
Index: d Ä21-0316 20.08.21 KHE	scale/Maßstab: 1 : 1,5 (1 : 2,5)	dwg no / Z.-nr.: 55K1A292	
RoHS compliant/konform	<b>CONEC</b>	DIN-A3 1 / 1	



The reproduction, distribution and utilization of this document as well as the communication of its contents to third parties without express authorization is prohibited. Offenders will be held liable for the payment of damages. We reserve the right to withdraw advertising and notices, without notice and without obligation of explanation, at any time.