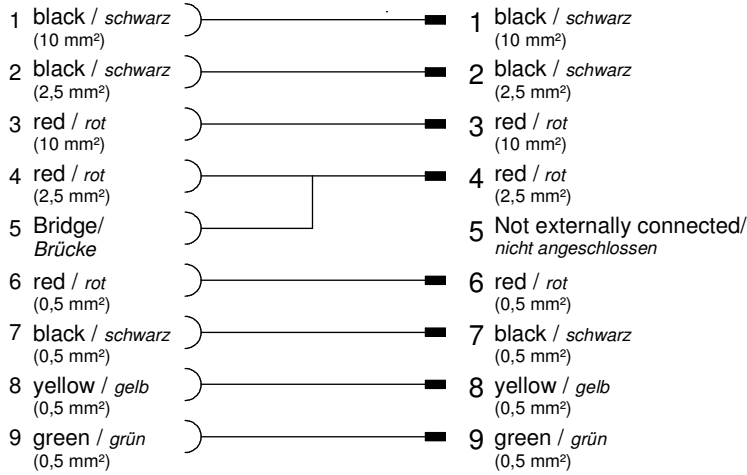


**Contact assignment/**

**Kontaktbelegung:**



**Technical specification/**

**Technische Daten:**

Rated voltage/ <i>Bemessungsspannung</i>	max. 12 V DC
Current rating/ <i>Strombelastbarkeit</i>	10 mm <sup>2</sup> : 35 A at 40 °C 2,5 mm <sup>2</sup> : 15 A at 40 °C 0,5 mm <sup>2</sup> : 5 A at 40 °C
Temperature range	-40 °C ... +85 °C
Connector/ <i>Umgebungstemperatur</i> Stecker:	
Temperature range	fixed/ -40 °C ... +85 °C Wire/ <i>Umgebungstemperatur</i> moved/ -20 °C ... +85 °C <i>Leitung:</i>
Wire cross section/ <i>Anschlussquerschnitt:</i> (Isobus)	2 x 10 mm <sup>2</sup> 2 x 2,5 mm <sup>2</sup> 4 x 0,5 mm <sup>2</sup>
Mating cycles/ <i>Steckzyklen:</i>	>=100
Housing/ <i>Gehäuse:</i>	Erich Jaeger Plug black / schwarz HD34-24-91PE-072

**Materials EJ-9S/**

**Werkstoffe EJ-9S:**

Contact/ <i>Kontakt:</i>	Copper alloy/ Kupferlegierung
Contact carrier/ <i>Kontaktträger</i>	PA GF UL94
Contact plating/ <i>Kontaktoberfläche:</i>	Ni
Overmolding/ <i>Umspritzung:</i>	TPU, UL 94, V-0 black / schwarz
Sealing/ <i>Dichtung:</i>	Silicon/ Silikon
Protective cap/ <i>Schutzkappe:</i>	PA6.6 UL94 V-0, black / schwarz
Landing plate / <i>Landeplatte</i>	PA6.6 UL94 V-0, black / schwarz
Corrugated tube/ <i>Wellrohr</i>	PA6 UL94 HB, black / schwarz

**Materials HD34-24/**

**Werkstoffe HD34-24:**

Contact/ <i>Kontakt:</i>	Copper alloy/ Kupferlegierung
Contact plating/ <i>Kontaktoberfläche:</i>	Ni
Contact carrier/ <i>Kontaktträger:</i>	Thermoplastic/ Thermoplast
Housing/ <i>Gehäuse:</i>	Aluminium/ Aluminium
Sealing/ <i>Dichtung:</i>	Silicon/ Silikon



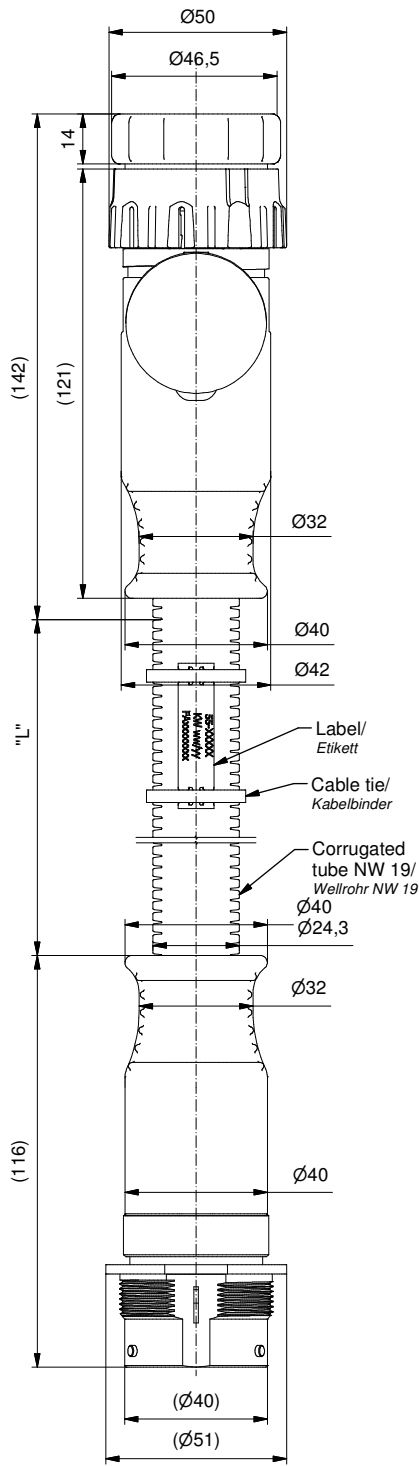
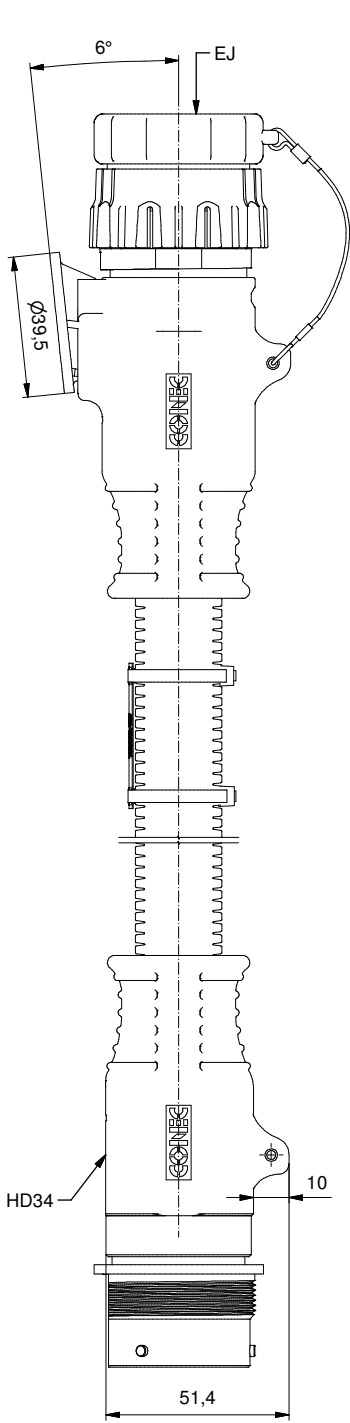
Part.-no./Art.-Nr.: Conec	Description/ Beschreibung:	Cable length "L" Kabellänge "L":	Cable/ Kabel:
55-10139	EJ-9S-L1-HD34-24-91-P-W/1000P/6m	6 m	PUR, Hybrid; 2x10 mm <sup>2</sup> ; 2x2,5 mm <sup>2</sup> 4x0,5 mm <sup>2</sup> Cable / Kabel : 781-BS0177
55-10140	EJ-9S-L1-HD34-24-91-P-W/1000P/9m	9 m	
55-10141	EJ-9S-L1-HD34-24-91-P-W/1000P/12m	12 m	
55-xxxxx	EJ-9S-L1-HD34-24-91-P-W/1000P/..m	... m	

APPROVAL # FREIGABE # DEBLOCAGE # AUTORIZACION # APPROVAL	
CUSTOMER APPROVAL DATE:	
NAME:	TITLE:
COMPANY NAME:	
APPROVAL # FREIGABE # DEBLOCAGE # AUTORIZACION # APPROVAL	

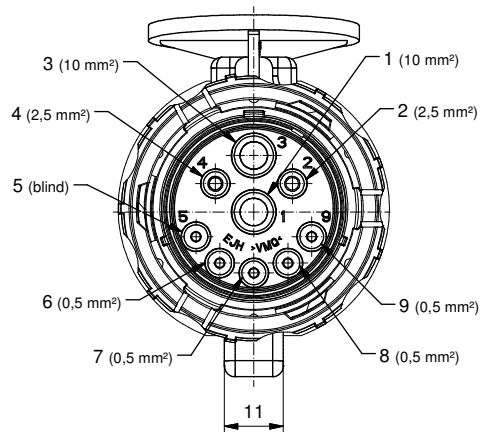
tolerance of cable/ <i>Kabeltoleranz:</i>	L <= 12m: L + 120mm L > 12m: L + 1%	dim. in mm	Connecting cable Type EJ Plug + HD34 <i>Verbindungsleitung</i> Typ EJ + HD34	
general tolerance/ <i>Allgemeintoleranz:</i>	0 ± 0,50mm 0,0 ± 0,25mm 0,00 ± 0,10mm x ± 5°		Date/Datum	Name
Index: a Original	scale/Maßstab:	drawn/ <i>gez.</i>	11.02.2019	Henneboel
Status: InBearbeitung	1 : 1	appd./ <i>gepr.</i>	11.02.2019	Strakerjahn
RoHS compliant/ <i>konform</i>		dwg no / Z.-nr.:		55K1A651
				DIN-A3
				1 / 2



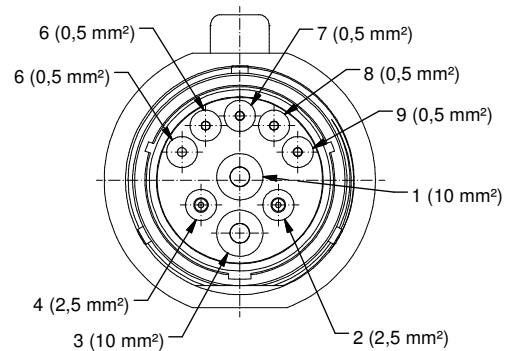
The reproduction, distribution and utilization of this document as well as the communication of its contents to third parties without express authorization is prohibited. Offenders will be held liable for the payment of damages. Wir bitten Sie, diese Kopie nicht weiterzugeben, zu veröffentlichen, zu verbreiten, zu kopieren oder zu drucken. Zuwiderhandlungen werden geahndet.



Isobus EJ (1 : 1)  
View without protective cover /  
Ansicht ohne Schutzkappe



Isobus HD34 (1 : 1)



The reproduction, distribution and utilization of this document as well as the communication of its content to others without express authorization is prohibited. Offenders will be held liable for the payment of damages. We reserve the right to remove additional data at any time without notice.

tolerance of cable/ Kabeltoleranz:	L ≤ 12m: L + 120mm L > 12m: L + 1%
general tolerance/ Allgemeintoleranz:	0 ± 0,50mm 0,0 ± 0,25mm 0,00 ± 0,10mm x ± 5°
Index: a Original	scale/Maßstab: 1 : 1
Status: InBearbeitung	
RoHS compliant/konform	

	dim. in mm
drawn/ gez.	Date/Datum: 11.02.2019 Name: Henneboel
appd./ gepr.	11.02.2019 Strakerjahn
<b>CONNEC</b>	

Connecting cable Type EJ Plug + HD34 Verbindungsleitung Typ EJ + HD34	
dwg no / Z.-nr.:	55K1A651
DIN- A3	2 / 2