

Technical specification:

Technische Daten:

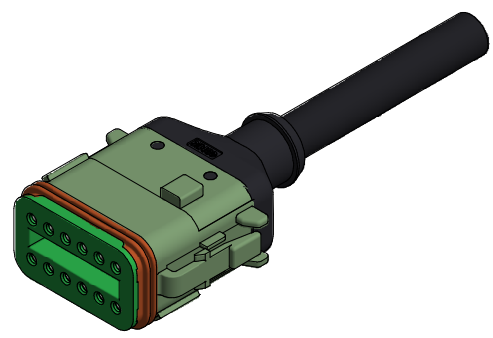
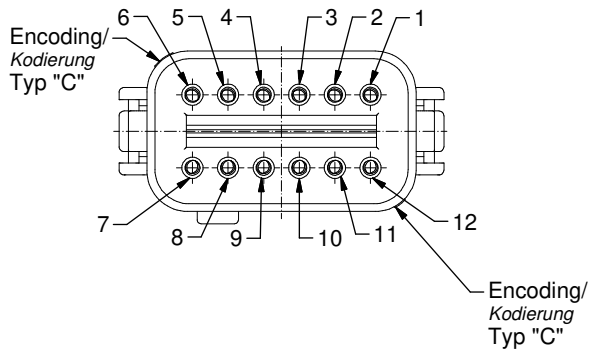
Rated voltage/ Bemessungsspannung:	max. 230 V AC/DC
Current rating/ Strombelastbarkeit:	5 A at 40 °C 5 A bei 40 °C
Degree of protection/ Schutzart:	IP67/IP69K, in mated condition/ IP67/IP69K im gesteckten Zustand
Temperature range Connector/ Umgebungstemperatur Stecker:	-40 °C ... +85 °C
Temperature range Wire/ Umgebungstemperatur Leitung:	fixed/ -40 °C...+80 °C moved/ -25 °C...+80 °C
Mating cycles/ Steckzyklen:	>= 100
Wire cross section/ Anschlussquerschnitt:	0.75 mm ²
Housing/ Gehäuse:	Deutsch DT06-12SC-CE06, green/ grün

**Materials/
Werkstoffe:**

Contact/ Kontakt:	Copper alloy/ Kupferlegierung
Contact carrier/ Kontaktträger:	Thermoplastic/ Thermoplastik
Contact plating/ Kontaktoberfläche:	Ni
Overmolding/ Umspritzung:	TPU, UL 94, black/ schwarz

**Contact assignment/
Kontaktbelegung:**

1 +12 V	GN/GN
2 CAN Low	BN/BR
3 MFQE 1	WH/WS
4 MFQE 2	PK/RS
5 MFQE 3	GY/GR
6 +12 V Sensor	YE/GE
7 GND	BU/BL
8 MFQE 4	RD/RT
9 MFQE 5	BK/SW
10 MFQE 6	VT/VI
11 CAN High	GY-PK/GR-RS
12 GND	RD-BU/RT-BL



Conec Part.-no./Art.-Nr.:	Description/ Beschreibung:	Cable length "L" Kabellänge "L":	Cable/ Kabel:
55-01517	DT06-12CS-A/K1/0.75/3,8m	3,8m	PUR, black / schwarz 12x0.75 mm ² , Cable / Kabel : 781-K17120
55-xxxxx	DT06-12CS-A/K1/0.75/...m	...m	

APPROVAL # FREIGABE # DEBLOCAGE # AUTORIZACION # APPROVAL

CUSTOMER APPROVAL DATE:

NAME: TITLE:

COMPANY NAME:

APPROVAL # FREIGABE # DEBLOCAGE # AUTORIZACION # APPROVAL

tolerance of cable/ Kabeltoleranz:	L <= 5m: L + 50mm L > 5m: L + 1%	dim. in mm	DT06 - 12pos. Plug Valve Connector DT06 - 12pol. Ventilstecker	dwg no / Z.-nr.: 55K1A1006	DIN- A3
general tolerance/ Allgemeintoleranz:	0 ± 0,50mm 0,0 ± 0,25mm 0,00 ± 0,10mm x ± 5°	Date/Datum 21.04.20 Name Strakerjahn			
Index: a Original	scale/Maßstab: 1,5 : 1 (1:1)	appd./ gepr.: 23.04.20 Koch			
Status: Freigegeben	RoHS compliant/konform				



The reproduction, distribution and utilization of this document as well as the communication of its contents to third parties without express authorization is prohibited. Offenders will be held liable for the payment of damages. For further information on this subject, please contact your local branch office. In Germany: CONEC GmbH, Industriestraße 1, 42699 Solingen. In Austria: CONEC GmbH, Industriestraße 1, 2351 Bad Ischl. In the USA: CONEC Inc., 10000 W. 16th Ave., Denver, CO 80202.