

Contact assignment/

Kontaktbelegung:

- black / schwarz (6 mm²) ————— 1
- black / schwarz (2,5 mm²) ————— 2
- red / rot (6 mm²) ————— 3
- red / rot (2,5 mm²) ————— 4
- Not externally connected/ nicht angeschlossen ————— 5
- red / rot (0,5 mm²) ————— 6
- black / schwarz (0,5 mm²) ————— 7
- yellow / gelb (0,5 mm²) ————— 8
- green / grün (0,5 mm²) ————— 9

Technical specification:

Technische Daten:

Rated voltage/ <i>Bemessungsspannung</i>	max. 32 V DC
Current rating/ <i>Strombelastbarkeit:</i>	6,0 mm ² : 25 A at 40 °C 2,5 mm ² : 15 A at 40 °C 0,5 mm ² : 5 A at 40 °C
Temperature range	-40 °C ... +85 °C
Connector/ <i>Umgebungstemperatur Stecker:</i>	
Temperature range	fixed/ -40 °C ... +85 °C Wire/ <i>Umgebungstemperatur Leitung:</i> moved/ -20 °C ... +85 °C bewegt:
Degree of protection/ <i>Schutzart:</i>	IP67, in mated condition <i>IP67, im gesteckten Zustand</i>
Wire cross section/ <i>Anschlussquerschnitt:</i> (Isobus)	2 x 6,0 mm ² 2 x 2,5 mm ² 4 x 0,5 mm ²
Mating cycles/ <i>Steckzyklen:</i>	>=100
Housing/ <i>Gehäuse:</i>	Erich Jaeger Plug black / schwarz

View without protective cap /
Ansicht ohne Schutzkappe



Version without landing plate /
Ausf. ohne Landeplatte

Materials/

Werkstoffe:

Contact/ <i>Kontakt:</i>	Copper alloy/ Kupferlegierung
Contact carrier/ <i>Kontaktträger</i>	PA GF UL94
Contact plating/ <i>Kontaktoberfläche:</i>	Ni
Overmolding/ <i>Umspritzung:</i>	TPU, UL 94, V-0 black / schwarz
Sealing/ <i>Dichtung:</i>	Silicon/ Silikon
Protective cap/ <i>Schutzkappe:</i>	PA6.6 UL94 V-0, black / schwarz
Landing plate / <i>Landeplatte</i>	PA6.6 UL94 V-0, black / schwarz
Corrugated tube/ <i>Wellrohr:</i>	PA6 UL94 HB, black/schwarz

Part.-no./ Art.-Nr.:	Description/ Beschreibung:	Cable length "L" Kabellänge "L":	Type/ Ausführung	Cable/ Kabel:
55-10100	EJ-9-S-L1-W/600P/2m	2 m	With landing plate round/ mit Landeplatte rund	PUR, Hybrid 2 x 6,0 mm ² ; 2 x 2,5 mm ² ; 4 x 0,5 mm ² ; Cable / Kabel: 781-BS0097
55-10101	EJ-9-S-L1-W/600P/5m	5 m		
55-10102	EJ-9-S-L1-W/600P/10m	10 m		
55-xxxxx	EJ-9-S-L1-W/600P/...m	... m		
55-10103	EJ-9-S-W/600P/2m	2 m	Without landing plate/ ohne Landeplatte	
55-10104	EJ-9-S-W/600P/5m	5 m		
55-10105	EJ-9-S-W/600P/10m	10 m		
55-xxxxx	EJ-9-S-W/600P/...m	... m		

APPROVAL # FREIGABE # DEBLOCAGE # AUTORIZACION # APPROVAL	
CUSTOMER APPROVAL DATE:	
NAME:	TITLE:
COMPANY NAME:	
APPROVAL # FREIGABE # DEBLOCAGE # AUTORIZACION # APPROVAL	

tolerance of cable/ <i>Kabeltoleranz:</i>	L <= 12m: L + 120mm L > 12m: L + 1%
general tolerance/ <i>Allgemeintoleranz:</i>	0 ± 0,50mm 0,0 ± 0,25mm 0,00 ± 0,10mm x ± 5°
Index: a Original	scale/Maßstab: 1 : 1
Status: InBearbeitung	
RoHS compliant/ <i>konform</i>	

dim. in mm

Date/Datum	Name
drawn/ gez.	16.04.2018 Henneboel
appd./ gepr.	16.04.2018 Strakerjahn

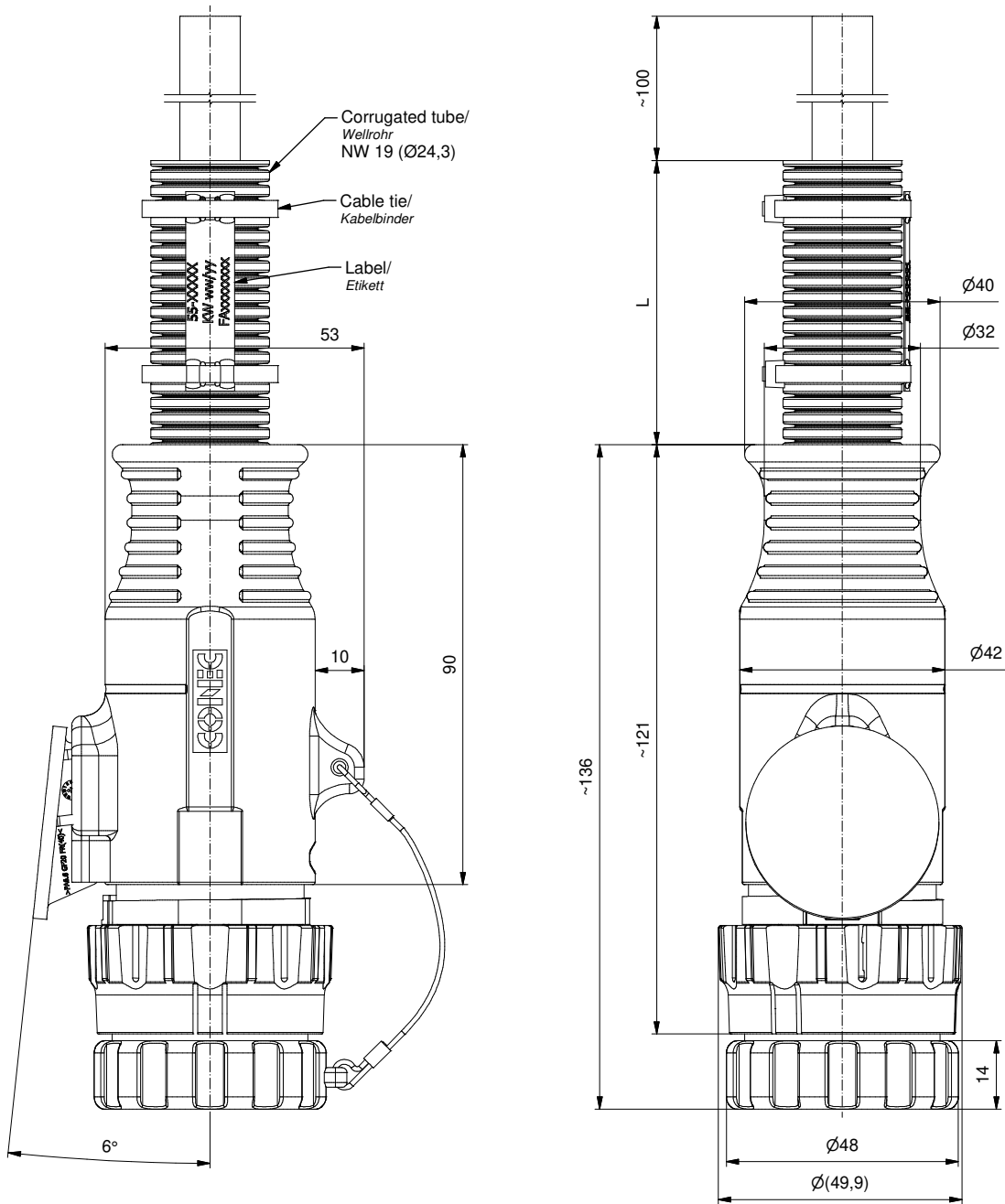
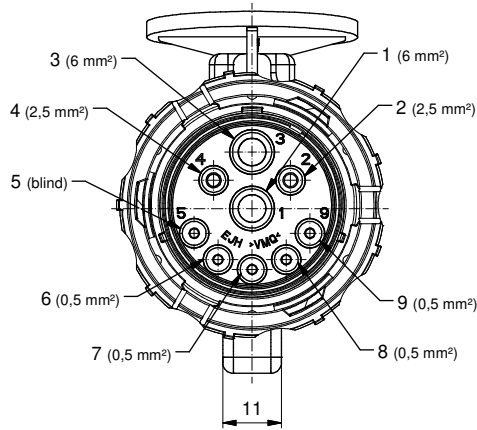
CONEC®

CC Isobus 9pos./6 mm² connector
Type EJ Plug
CC Isobus 9pol./6 mm² Steckverbinder

dwg no / Z.-nr.:	55K1A510	DIN- A3
Preliminary		1 / 2

The reproduction, distribution and utilization of this document as well as the communication of its contents to others without express authorization is prohibited. Offenders will be held liable for the payment of damages. Wir dürfen weder die Reproduktion noch die Verbreitung dieses Dokuments, noch die Kommunikation seiner Inhalte an Dritte, ohne schriftliche Genehmigung der CONEC AG, zulassen. Zuwiderhandlung ist strafbar. Verantwortlich: CONEC AG

View without protective cover /
Ansicht ohne Schutzkappe



tolerance of cable/ Kabeltoleranz:	L ≤ 12m: L + 120mm L > 12m: L + 1%
general tolerance/ Allgemeintoleranz:	0 ± 0,50mm 0,0 ± 0,25mm 0,00 ± 0,10mm x ± 5°
Index:	a Original
Status:	InBearbeitung
RoHS compliant/ konform	

dim. in mm	
Date/Datum	Name
drawn/ gez.	16.04.2018 Henneboel
appd./ gepr.	16.04.2018 Strakerjahn

CC Isobus 9pos./6 mm ² connector Type EJ Plug CC Isobus 9pol./6 mm ² Steckverbinder	
dwg no / Z.-nr.:	55K1A510
DIN-A3	2 / 2



The reproduction, distribution and utilization of this document as well as the communication of its contents to other persons without express authorization is prohibited. Offenders will be held liable for the payment of damages. We reserve the right to withdraw advertising and other information, without notice and without obligation, at any time.